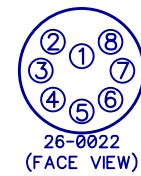
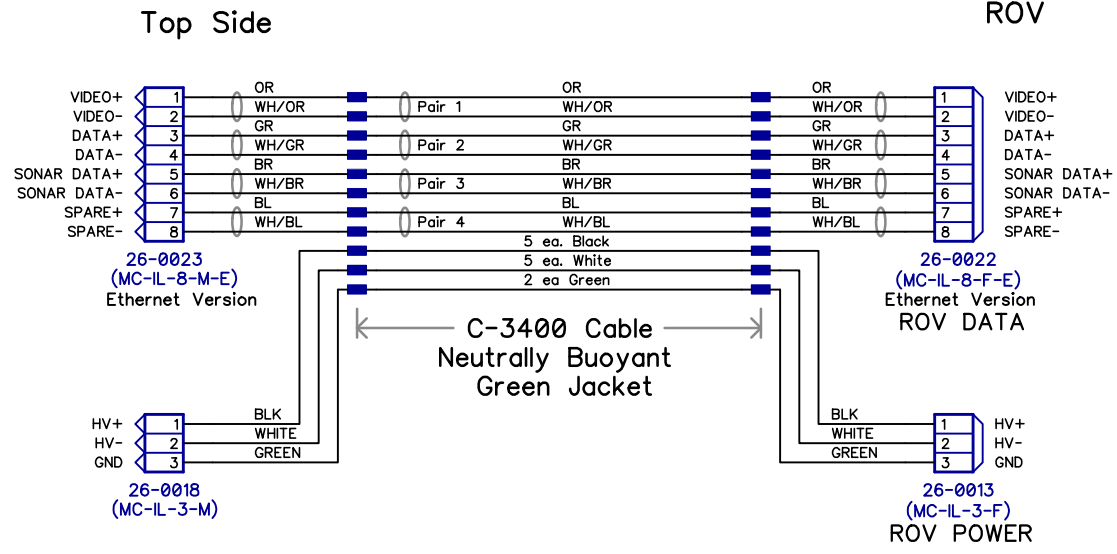


REVISIONS					
REV	DESCRIPTION	DATE	DRAWN	CHECKED	APPROVED



NOTES:  
1. INDICATES SPLICE LOCATION OF ALL WIRES

<b>OUTLAND TECHNOLOGY INC.</b>			
38190 COMMERCIAL CT. SLIDELL, LA 70458 U.S.A. (985) 847-1104 WWW.OUTLANDTECH.COM			
TITLE		ROV C-3400 Cable Assembly	
ISSUE DATE	10/18/2018	SIZE	DWG NO
DESIGNED	B. MAYFIELD	A	42-0094
DRAWN	J. REICHART		
CHECKED	C. DAUSSIN		
APPROVED	B. MAYFIELD	SHEET 1 OF 1	
REV			B2

**PROPRIETARY AND CONFIDENTIAL**

THE INFORMATION CONTAINED IN THIS DRAWING IS THE SOLE PROPERTY OF OUTLAND TECHNOLOGY, INC. SLIDELL, LOUISIANA, U.S.A. ANY REPRODUCTION IN PART OR AS A WHOLE WITHOUT THE WRITTEN PERMISSION OF OUTLAND TECHNOLOGY, INC. IS PROHIBITED.

ISSUE DATE	10/18/2018
DESIGNED	B. MAYFIELD
DRAWN	J. REICHART
CHECKED	C. DAUSSIN
APPROVED	B. MAYFIELD