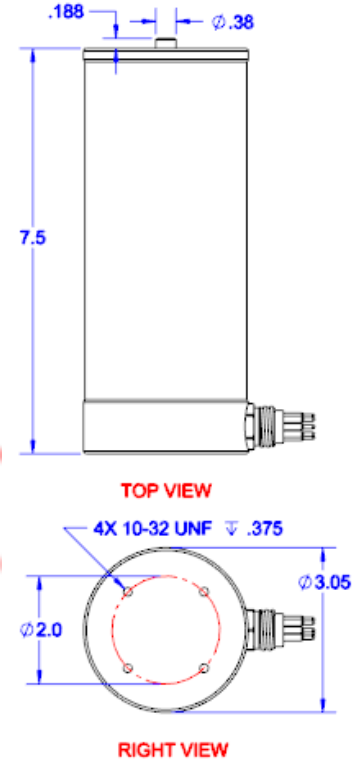




- **STANDARD & HIGH DEFINITION (optional)**
- **LASERS (75mm) STANDARD**
- **DURABLE, CORROSION-FREE HOUSING**
- **COMPACT SIZE**



USES INCLUDE: ROV, SLED OR DROP CAMERA, ETC.

**MECHANICAL:**

Diameter..... 3 in. (76 mm)  
 Length (excluding connector)..... 7.50 in. (184 mm)  
 Weight in air..... 1.4 lbs. (.63 kg)  
 Weight in seawater..... near neutral  
 Depth Rating..... 2,000 ft. (610 m)  
 Tilt (Vert) or Rotate (Horizontal) ..... 360° continuous  
 Housing Material..... Delrin  
 Port Material..... Acrylic

**CAMERA PROPERTIES: (composite video)**

Image Device..... 1/2.8" SONY 2.1MP CMOS Sensor  
 Sensitivity..... 001 lux  
 Resolution..... 2MP 1080/960H  
 Lens..... 3.6 mm, F1.2  
 Focus..... Fixed  
 Horizontal FOV (in water)..... 70 degrees  
 Standard Format..... NTSC

**LASER PROPERTIES:**

Laser Device..... 650nm 5mW (Red) Laser Dot  
 Distance Between Dots..... 2.95" (75mm)  
 Optical Line Power..... 2.0-3.2mW  
 Wavelength at Peak Emission..... 650nm  
 Maximum Beam Dot at 33ft (10m)..... 0.275in. (7mm)  
 Class..... IIIa

**ELECTRICAL:**

Input Voltage..... 12VDC  
 Power..... 250mA @12 VDC

**CONNECTOR:**

Standard Connector..... MCBH8M  
 Mate for Standard Connector..... MCIL8F

1. Ground / common
2. VIDEO #1
3. (Tilt+) or (Data + RS485)
4. (Tilt -) or (Data - RS485)
5. +12 VDC regulated.
6. VIDEO #2
7. NC or Address 0 (if using RS485)
8. NC or address 1 (if using RS485)

**OPTIONS:**

1. PAL Format
2. Customer-specified connector
3. 1080P High Definition

**NOTE: HD VIDEO LIMITED TO 1000ft. (305M)  
 CABLE TRANSMISSION IN HD USING RG59 (std.  
 Outland cable)**